



# intimus 16.99 SmartShred

## WITH INTEGRATED FEEDING CONVEYOR BELT



### HEAVY DUTY SHREDDER WITH AUTOMATIC CONVEYOR BELT FEEDING

Proven for decades for secure data destruction: the intimus 16 series. This centrally positionable heavy duty shredder with automatic conveyor belt feeding ensures fast and secure destruction through controlled and automatable feeding of data. The model range offers various discharge options such as a horizontal discharge conveyor belt for connection to customised disposal solutions or baling presses for the fully automatic compaction of the loose particles. We are also able to offer customised solutions. A smart SPS control system ensures optimal adaptation to customer requirements and simple operation.



**Variant 1:**  
intimus 16.99 SmartShred with collection bin for collecting the loose cutting material



**Variant 2:**  
intimus 16.99 SmartShred with baler for compaction of particles



**Variant 3:**  
intimus 16.99 SmartShred with horizontal discharge belt for connection of a conveyor belt or collection bin



# Shredder

## HIGHLIGHTS

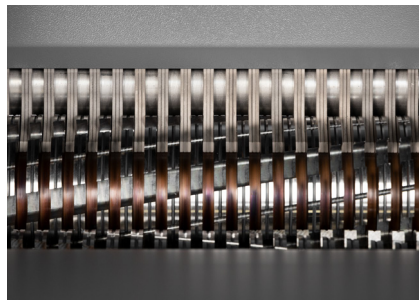
---

- Simple operation thanks to clear control panel with safety concept and security device
- The SmartShred programmable logic controller (PLC) enables, for example, logging of operating time, accurate error display or maintenance reminders, thus speeds up maintenance.
- Depending on the variant, the hardened cutter cylinders made of high-quality steel destroy even complete file folders and ensure a long service life.
- High performance through efficient and continuous feeding of documents by means of an automatic feeding conveyor belt.
- A wide EMERGENCY STOP bar ensures immediate machine shutdown in case of danger.
- The powerful, thermally protected geared motor with 7,5 kW drive power guarantees a smooth continuous operation.
- Secure data destruction in security levels P-2 or P-3 according to DIN 66399.
- In case of overload, the cutting unit and conveyor belt reverse automatically and switch back to forward running after some time.
- A built-in automatic lubricator ensures consistently high cutting performance and quality.



Clear touch display

---



Hardened cutter cylinders

---



EMERGENCY STOP bar

---

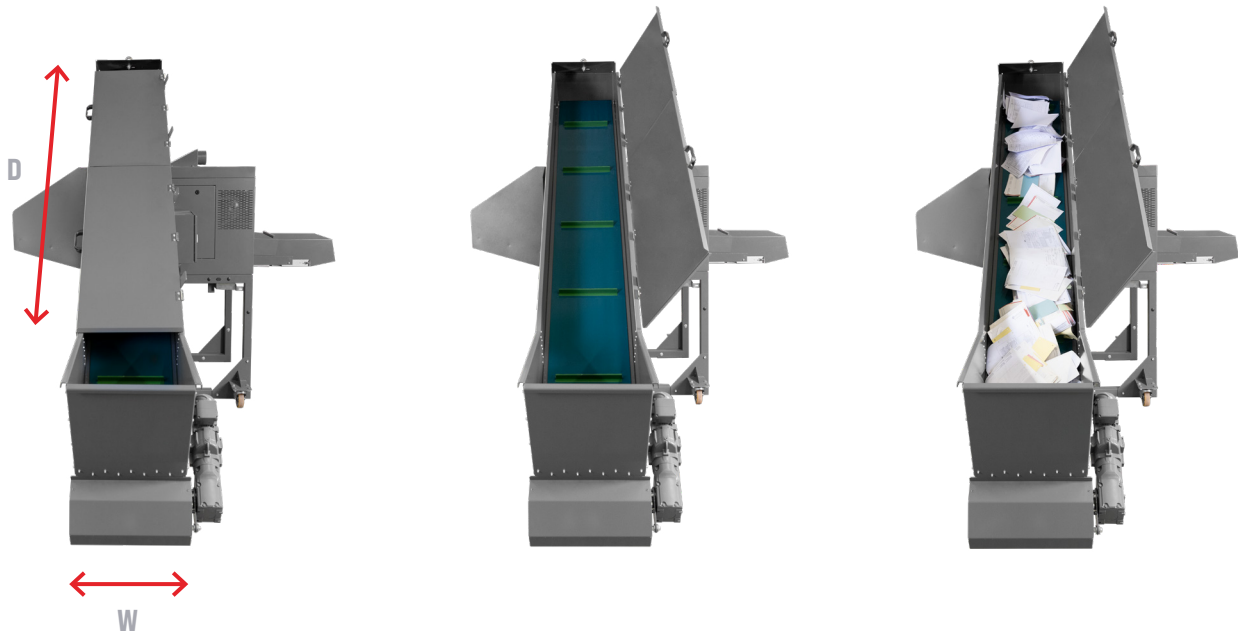


# FEEDING CONVEYOR BELT

## HIGHLIGHTS

---

- Fully integrated into the shredder's control system, the feeding conveyor belt with its cleats ensures continuous feeding and reliable material flow.
- Long durability due to robust steel construction and 2-layer PVC belt.
- Belt speed 5,64 m/min
- A cover on both sides ensures a high level of security and protection against access.
- The feeding conveyor belt can be mounted on the right or left.



**DIMENSIONS (W X D)**  
**65x300 cm**

---

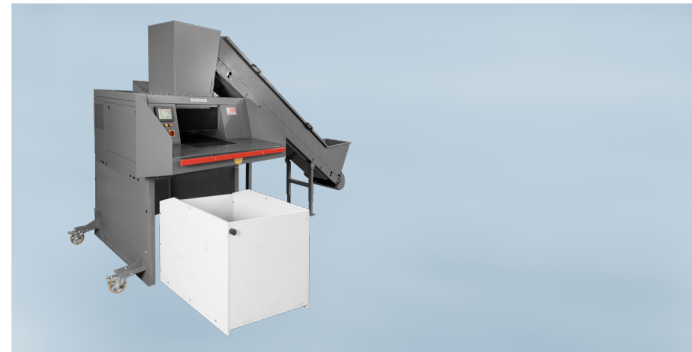




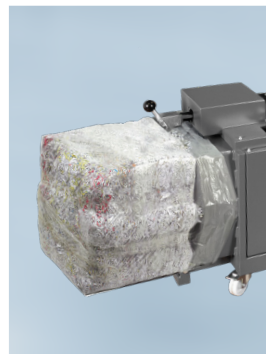
# Variants

## DISPOSAL

**1. VARIANT 1:**  
**intimus 16.99 SmartShred with collection bin**  
 The shredded material is collected in the large-volume 450 litre collection bin with collection bag under the cutting unit of the intimus 16.99 SmartShred.



**2. VARIANT 2:**  
**intimus 16.99 SmartShred with baler**  
 With a baler, the cut material is immediately compressed fully automatically into compact bales with a weight of 60–80 kg. Advantage: Reduction effect compared to loose collection of the cut material by approx. 70 %.



**3. VARIANT 3:**  
**intimus 16.99 SmartShred with horizontal discharge belt**  
 The horizontal discharge conveyor belt can be connected to individual disposal solutions such as another conveyor belt or a separate collection bin.



**4. CUSTOMISED SOLUTIONS:**  
 Customised solutions are one of our core competencies. All disposal options can be individually adapted to special requirements.







# intimus 16.99 SmartShred – 10x70 mm (Security level P-2)

## PRODUCT INFORMATION



550 kg/h \*



500 mm



61 dB(A) \*\*



400 V / 50 Hz \*\*\*

Specifications		Specifications	
Security levels DIN 66399 (ISO/IEC 21964)	P-2 / O-2 / T-2 / E-2	Working width	500 mm
Particle size	10x70 mm	Inlet height or desk height	1200 mm
Shredding Capacity 70 g/m <sup>2</sup> DIN A4 paper	470–520 sheets	Noise level **	61 dB(A)
Shredding Capacity 80 g/m <sup>2</sup> DIN A4 paper	400–450 sheets	Material cutting cylinders	Induction hardened steel
Throughput	up to 550 kg/h *	Weight ****	V1:1129 kg   V2:1674 kg   V3:1083 kg
Shredder material	Paper or crumpled paper with staples and paper clips as well as small quantities of entire folders, smart cards, floppy disks, CDs and DVDs	Motor power	7,5 kW
Country of origin	Made in Germany	Integrated feeding belt	
Warranty machine	1 year	Automatic reverse	
Warranty cutting cylinders	3 years	Touch Display	
Accessories (sold separately)	2 l shredder special oil (94777) and PE bags for baling press (99969)	Emergency stop bar	
		Automatic lubricator	
		Dust extractor optional	
		Adjustable bale weight	
		Motor protection with thermal sensor	

\* All specifications refer to paper shredding. Performance may vary depending on feeding type and paper quality. All data without liability. Subject to technical and optical changes.

\*\* In idle operation.

\*\*\* Other voltage options are available on request.

\*\*\*\* V1: with collection bin, V2: with baler, V3: with horizontal discharge belt



**ANY QUESTIONS?**  
**GET IN CONTACT WITH US:**

sales.de@intimus.com  
T. +49 (0)7544 60-0  
www.intimus.com



# intimus 16.99 SmartShred – 6x50 mm (Security level P-3)

## PRODUCT INFORMATION



480 kg/h \*



500 mm



61 dB(A) \*\*



400 V / 50 Hz \*\*\*

Specifications		Specifications	
Security levels DIN 66399 (ISO/IEC 21964)	P-3 / O-3 / T-3 / E-2	Working width	500 mm
Particle size	6x50 mm	Inlet height or desk height	1200 mm
Shredding Capacity 70 g/m <sup>2</sup> DIN A4 paper	300–330 sheets	Noise level **	61 dB(A)
Shredding Capacity 80 g/m <sup>2</sup> DIN A4 paper	260–290 sheets	Material cutting cylinders	Induction hardened steel
Throughput	up to 480 kg/h *	Weight ****	V1:1129 kg   V2:1674 kg   V3:1083 kg
Shredder material	Paper or crumpled with staples and paper clips as well as small quantities of smart cards, floppy disks, CDs and DVDs	Motor power	7,5 kW
Country of origin	Made in Germany	Integrated feeding belt	
Warranty machine	1 year	Automatic reverse	
Warranty cutting cylinders	3 years	Touch Display	
Accessories (sold separately)	2 l shredder special oil (94777) and PE bags for baling press (99969)	Emergency stop bar	
		Automatic lubricator	
		Dust extractor optional	
		Adjustable bale weight	
		Motor protection with thermal sensor	

\* All specifications refer to paper shredding. Performance may vary depending on feeding type and paper quality. All data without liability. Subject to technical and optical changes.

\*\* In idle operation.

\*\*\* Other voltage options are available on request.

\*\*\*\* V1: with collection bin, V2: with baler, V3: with horizontal discharge belt



**ANY QUESTIONS?**  
**GET IN CONTACT WITH US:**

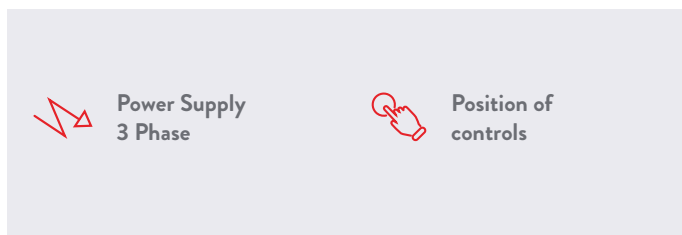
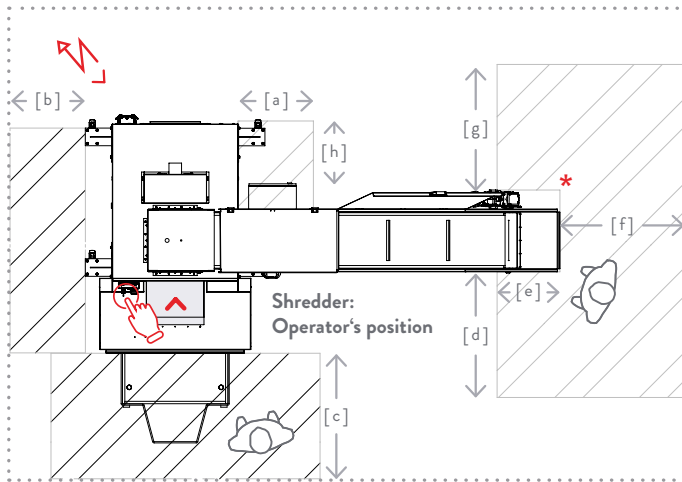
sales.de@intimus.com  
T. +49 (0)7544 60-0  
www.intimus.com



# Installation instructions

## V1: intimus 16.99 SmartShred with collection bin

SCALE 1:60



Transport packaging	Power Supply 3 Phase
---------------------	----------------------

Shredder and feeding conveyor belt

- 1 wooden crate WxDxH: 207x132x183 cm  
Transport weight: 848 kg
- 1 one-way pallet WxDxH: 100x340x115 cm  
Transport weight: 280 kg

- Power cord = 5,5 m
- 400 V / 50 Hz\*\* supplied with CEE-plug 32 Amp. (EU)
- Also available in other voltage options.

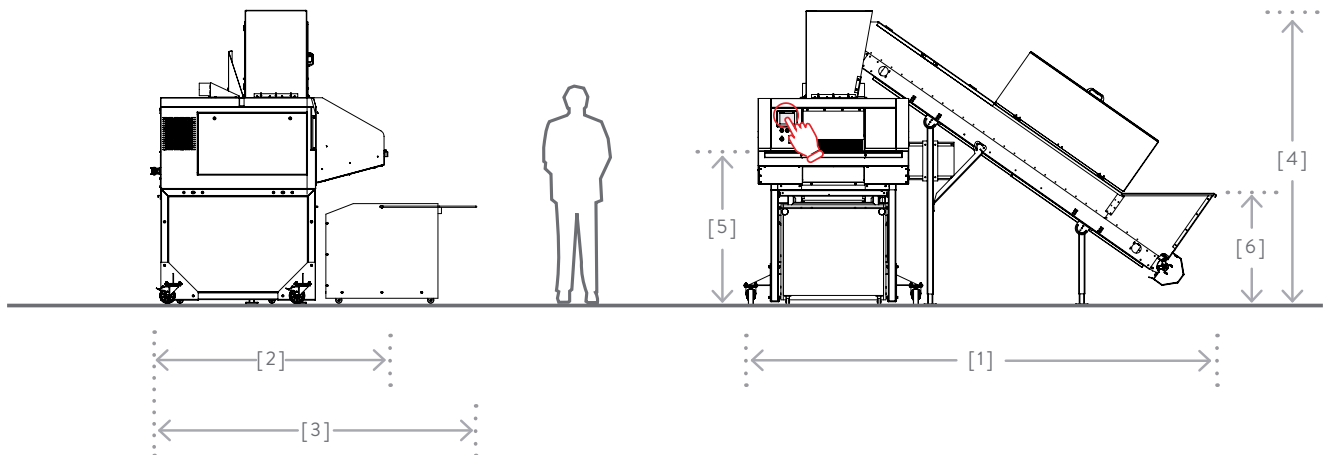
Collection bin

- 1 one-way pallet WxDxH: 120x100x31 cm  
Transport weight: 65 kg

Dimensions	cm	Required space/distances	cm
[ 1 ] Width	378	[ a ] min.	60
[ 2 ] Depth	190	[ b ] min.	60
[ 3 ] Depth with pulled out bin	262	[ c ] min.	100
[ 4 ] Height	235	[ d ] min.	100
[ 5 ] Inlet height / desk height	123	[ e ] min.	50
[ 6 ] Feeding height conveyor belt	89	[ f ] min.	100
		[ g ] min.	100
		[ h ] min.	50

Required fusing by customer

- Circuit breaker with tripping characteristic C
- or fuse gL/gG Classification type 1 as per IEC/EN 60947-4-1
- 400 V / 50 Hz\*\* = 35 Amp.



All data without liability. Subject to technical and optical changes.

\* The conveyor belt can be positioned on the right or left.

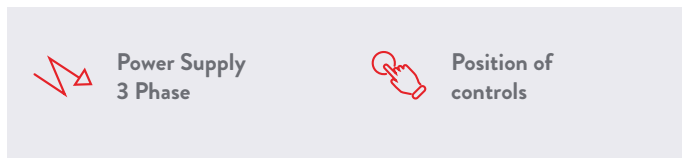
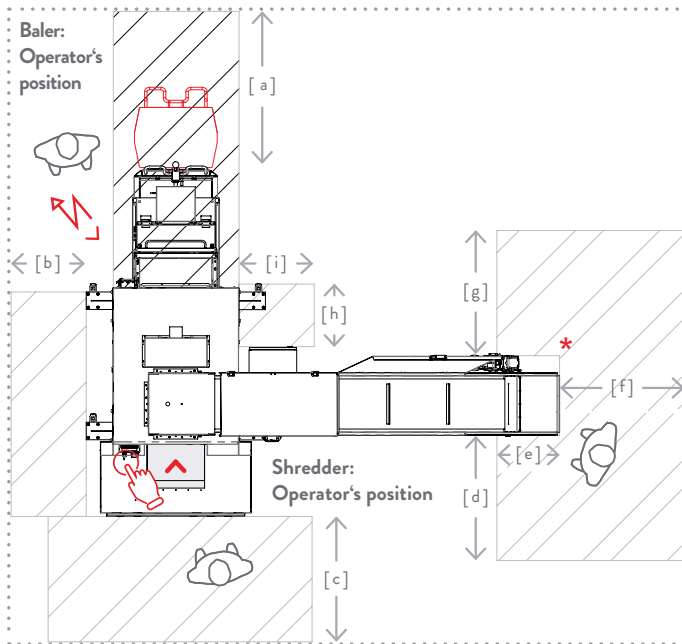
\*\* Other voltage options are available on request.



# Installation instructions

## V2: intimus 16.99 SmartShred with baler

SCALE 1:60



Required fusing by customer

- Circuit breaker with tripping characteristic C
- or fuse gL/gG Classification type 1 as per IEC/EN 60947-4-1
- 400 V / 50 Hz \*\* = 35 Amp.

Transport packaging	Power Supply 3 Phase
---------------------	----------------------

Shredder and feeding conveyor belt

- 1 wooden crate WxDxH: 207x132x183 cm  
Transport weight: 848 kg
- 1 one-way pallet WxDxH: 100x340x115 cm  
Transport weight: 280 kg

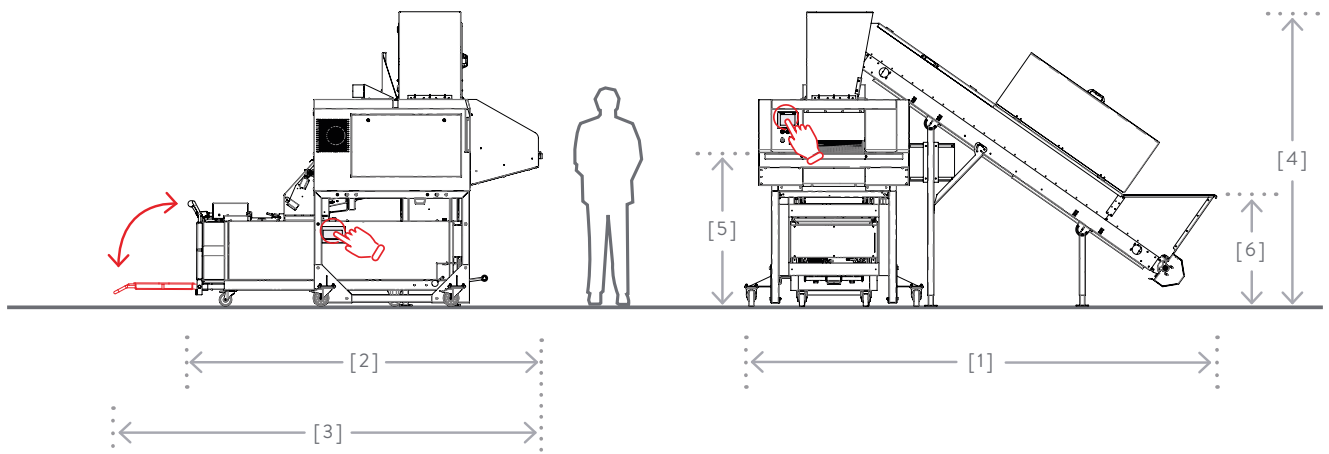
- Power cord = 5,5 m
- 400 V / 50 Hz\*\* supplied with CEE-plug 32 Amp. (EU)
- Also available in other voltage options.

Baler

- 1 wooden crate WxDxH: 94x230x100 cm  
Transport weight: 621 kg

Dimensions	cm	Required space/distances	cm
------------	----	--------------------------	----

[1] Width	378	[a] min.	120
[2] Depth	283	[b] min.	60
[3] Depth with bale ejection flap open	343	[c] min.	100
		[d] min.	100
[4] Height	235	[e] min.	50
[5] Inlet height / desk height	123	[f] min.	100
		[g] min.	100
[6] Feeding height conveyor belt	89	[h] min.	50
		[i] min.	60



All data without liability. Subject to technical and optical changes.

\* The conveyor belt can be positioned on the right or left.

\*\* Other voltage options are available on request.

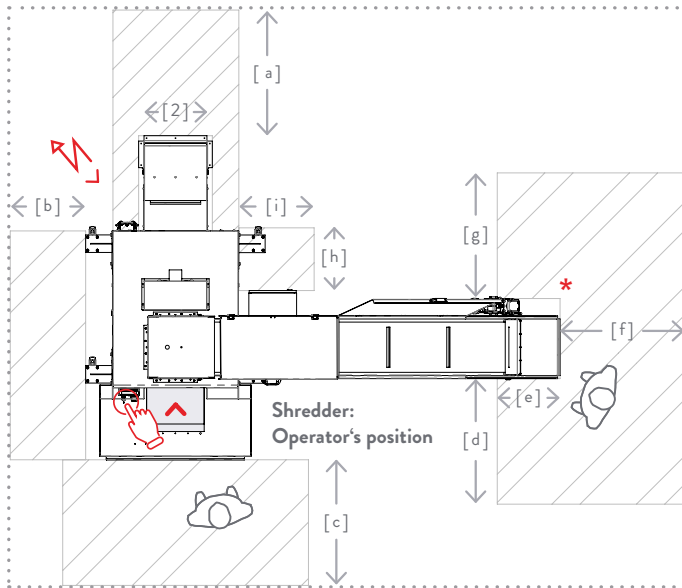




# Installation instructions

## V3: intimus 16.99 SmartShred with horizontal discharge belt

SCALE 1:60



**Power Supply 3 Phase**
**Position of controls**

Required fusing by customer

- Circuit breaker with tripping characteristic C
- or fuse gL/gG Classification type 1 as per IEC/EN 60947-4-1
- 400 V / 50 Hz \*\* = 35 Amp.

Transport packaging	Power Supply 3 Phase
---------------------	----------------------

Shredder, feeding conveyor belt and horizontal discharge conveyor belt

- 1 wooden crate WxDxH: 207x132x183 cm  
Transport weight: 853 kg
- 1 one-way pallet WxDxH: 100x340x115 cm  
Transport weight: 280 kg

- Power cord = 5,5 m
- 400 V / 50 Hz\*\* supplied with CEE-plug 32 Amp. (EU)
- Also available in other voltage options.

Dimensions	cm	Required space/distances	cm
------------	----	--------------------------	----

[ 1 ] Width	378	[ a ] min.	100
[ 2 ] Width discharge belt	59	[ b ] min.	60
[ 3 ] Depth	258	[ c ] min.	100
[ 4 ] Height	235	[ d ] min.	100
[ 5 ] Height discharge belt	94	[ e ] min.	50
[ 6 ] Inlet height / desk height	123	[ f ] min.	100
[ 7 ] Feeding height conveyor belt	89	[ g ] min.	100
		[ h ] min.	50
		[ i ] min.	60

